

# 3M Aqua-Pure™

## AP200

### Drinking Water System

#### Reduces:

Chlorine Taste & Odor  
Sediment\*



Spec #

---

Quantity

---

### At a Glance:

- Space saving, compact design
- Reduces chlorine taste & odor and sediment\*
- Premium performance dual action AP217 cartridge included
- Mounting bracket included
- Made from FDA CFR-21 Compliant materials

### Product Benefits:

- Space saving design for easy installation under sink or in confined spaces
- System helps provide high flow rate to 1.75 gpm (6.6 lpm) to all standard kitchen and bathroom faucets
- Offers clearer, cleaner, better tasting water with high efficiency chlorine taste & odor, and sediment\* reduction in one system
- Designed with specially formulated high-adsorption activated carbon to help provide effective filtration of unwanted chlorine taste and odor
- Easy to install and change-out cartridge
- Premium performance pre-filter for high sediment\* reduction efficiency
- System tested and certified by NSF International
- 5 year limited warranty

### Product Specifications:

Model No. (Part No.)	Inlet/ Outlet Size	Dimensions		Approx. Weight	Flow Rate	Clean Pressure Drop	Max. Water Temp.	Max. Water Pressure	Standard Repl. Ctg. No.	Repl. Ctg. Qty.	Degree of Filtration
		Height	Diameter								
AP200 (5528901)	3/8" NPT	9-13/16" (24.9 cm)	4-7/8" (12.4 cm)	2.8 lbs. (1.3 kg)	1.75 gpm (6.6 lpm)	N/A	100°F (37.8°C)	125 psi (862 kPa)	AP217	1	5 micron nominal

\*As tested and verified by manufacturer's laboratory.

# AP200

## Drinking Water System

Spec # \_\_\_\_\_

Quantity \_\_\_\_\_

Model Number \_\_\_\_\_

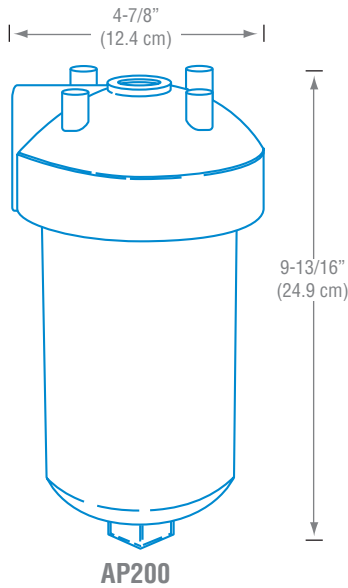
Part Number \_\_\_\_\_

### Product Specifications:

- Standard 3/8" NPT inlet/outlet connection
- System is a single vessel design
- System is manufactured from FDA CFR-21 compliant materials
- System has maximum operating pressure of 125 psi (862 kPa) and operating temperature of 100°F (37.8°C)
- System to be installed on primary kitchen or bath cold water faucet

Replacement Cartridge Options					
Model	Sediment Load	Nominal Micron Rating	Reduces		Flow Rate
			Sediment*	Chlorine Taste & Odor	
AP217	Normal	5	•	•	1.75 gpm (6.6 lpm)

\*As tested and verified by manufacturer's laboratory.



### General Product Guidelines:

- ⚠ WARNING:** Read entire manual. Failure to follow all guides and rules could cause personal injury or property damage.
- Check with your local public works department for plumbing codes. You must follow their guidelines as you install the Water Filtration system.
  - Your Water Filtration system will withstand up to 125 pounds per square inch (psi) water pressure. If your house water supply pressure is higher than 80 psi, install a pressure reducing valve before installing the Water Filtration system.

To reduce the risk associated with the ingestion of contaminants:

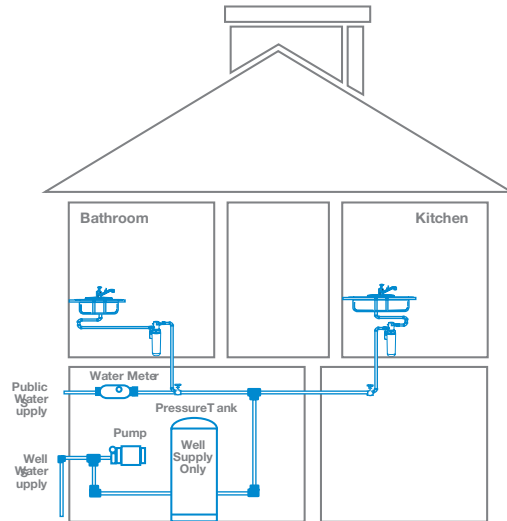
- DO NOT use with water that is microbiologically unsafe or of unknown quality without adequate disinfection before or after the system.

**NOTICE:** To reduce the risk associated with property damage due to water leakage or flooding:

- Read and follow Use Instructions before installation and use of this system.
- Change the disposable filter cartridge at the recommended interval; the disposable filter cartridge MUST be replaced every 6 months or sooner.
- Failure to replace the disposable filter cartridge at recommended intervals may lead to reduced filter performance and failure of the filter, causing property damage from water leakage or flooding.

3M Purification Inc. recommends regularly scheduled maintenance and replacement of the filters in order for the product to perform as advertised. 3M Purification Inc. shall not be liable for system failures due to improper maintenance.

Diagram shown is for reference purposes only. Read installation and operation manual prior to installing the unit.



### Limited Warranty:

3M warrants this Product (excluding disposable filter cartridge(s) or membrane) will be free from defects in material and manufacture for five (5) years from the date of purchase. The disposable filter cartridge or membrane is warranted to be free from defects in material and manufacture for one (1) year from the date of purchase. This warranty does not cover failures resulting from abuse, misuse, alteration or damage not caused by 3M or failure to follow installation and use instructions. No warranty is given as to the service life of any filter cartridge or membrane as it will vary with local water conditions and water consumption. 3M MAKES NO OTHER WARRANTIES OR CONDITIONS, EXPRESS OR IMPLIED, INCLUDING, BUT NOT LIMITED TO, ANY IMPLIED WARRANTY OR CONDITION OF MERCHANTABILITY OR FITNESS FOR A PARTICULAR PURPOSE OR ANY IMPLIED WARRANTY OR CONDITION ARISING OUT OF A COURSE OF DEALING, CUSTOMER OR USAGE OF TRADE. If the Product fails to satisfy this Limited Warranty during the warranty period, 3M will replace the Product or refund your Product purchase price. This warranty does not cover labor. The remedy stated in this paragraph is Customer's sole remedy and 3M's exclusive obligation. For additional information, see the entire Limited Warranty located in the product Installation and Operating Instruction Manual.

**Limitation of Liability:** 3M will not be liable for any loss or damage arising from this 3M product, whether direct, indirect, special, incidental, or consequential, regardless of the legal theory asserted, including warranty, contract, negligence or strict liability. Some states and countries do not allow the exclusion of limitation of incidental or consequential damages, so the above limitation or exclusion may not apply to you.

3M Purification Inc.  
400 Research Parkway  
Meriden, CT 06450 U.S.A.  
Toll Free: 1.800.222.7880  
Worldwide: 203.237.5541  
Fax: 203.238.8701  
www.aquapure.com  
www.3mpurification.com

3M and Aqua-Pure are trademarks of 3M Company.  
NSF is a trademark of NSF International.  
© 2015 3M Company. All rights reserved.  
70020192434 REV 0615



Visit [www.nsf.org](http://www.nsf.org) for the claims associated with products that are NSF listed.

Distributed by: