

**CELL SIDE MATERIAL:**

- SINGLE HEADER 26 GA GALVANIZED STEEL
- DOUBLE HEADER 26 GA GALVANIZED STEEL
- NO HEADER - 26 GA GALVANIZED STEEL
- STRAIGHT BOX WOOD
- FW PARTICLE BOARD

**FILTER MEDIA AND CAPACITY:**

- 95% ASHRAE STANDARD CAPACITY
- 95% ASHRAE HIGH CAPACITY
- 85% ASHRAE STANDARD CAPACITY
- 85% ASHRAE HIGH CAPACITY
- 65% ASHRAE STANDARD CAPACITY
- 65% ASHRAE HIGH CAPACITY
- 95% DOP
- 95% DOP HC

**SEPARATORS:**

- ALUMINUM (STANDARD)
- PVC COATED ALUMINUM

**GASKET MATERIAL:**

- NEOPRENE - 1/4 INCH
- FOAM - 3/16 INCH
- NONE

**GASKET LOCATION:**

- DOWNSTREAM
- UPSTREAM
- UPSTREAM AND DOWNSTREAM
- SIDE ACCESS - BOTH SIDES (FOAM GASKET ONLY)
- OTHER \_\_\_\_\_

STANDARD DEPTHS: 5-7/8" AND 11-1/2"

**FACEGUARD LOCATION:**

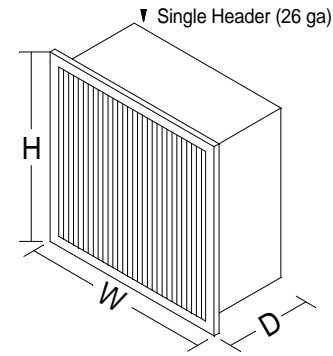
- DOWNSTREAM
- UPSTREAM
- UPSTREAM AND DOWNSTREAM
- NONE

**CLIP HOLE LOCATION:**

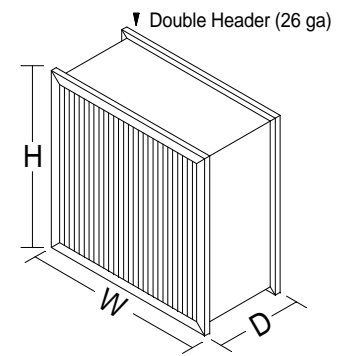
- 5/3 & 3/5 (STANDARD ON NHM MODEL)
- 4/4 & 4/4
- CENTERED
- NONE

**HEADER THICKNESS:**

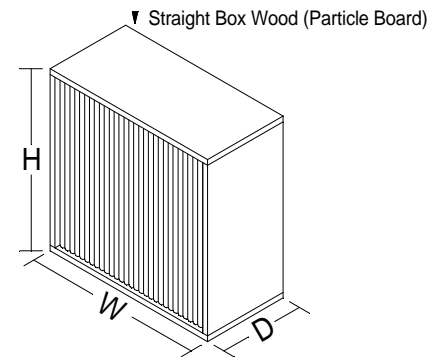
- 13/16" (STANDARD)
- 1-1/8"



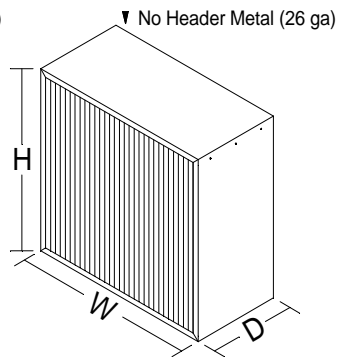
Height Width Depth  
ALL DIMENSIONS ARE ACTUAL SIZE



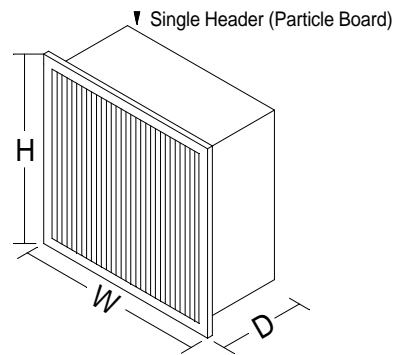
Height\* Width\* Depth  
\* of FLANGE  
ALL DIMENSIONS ARE ACTUAL SIZE



Height Width Depth  
ALL DIMENSIONS ARE ACTUAL SIZE



Height Width Depth  
ALL DIMENSIONS ARE ACTUAL SIZE



Height\* Width\* Depth  
\* HEADER  
ALL DIMENSIONS ARE ACTUAL SIZE

Customer Notes / Additional Requirements



**Koch Filter Corporation**

Filtration Products Crafted with Pride  
P.O. Box 3186 - Louisville KY 40201  
625 W. Hill Street - Louisville KY 40208  
Phone: (502) 634-4796 FAX: (502) 637-2280

**MULTI-CELL FILTER  
SUBMITTAL**