

# AIR FILTER SUBMITTAL

MODEL NO.: \_\_\_\_\_

NOMINAL SIZE: H \_\_\_\_\_ x W \_\_\_\_\_ x D \_\_\_\_\_

ACTUAL SIZE: H \_\_\_\_\_ x W \_\_\_\_\_ x D \_\_\_\_\_

QUANTITY: \_\_\_\_\_

ADDITIONAL REQUIREMENTS

---



---



---



---



---



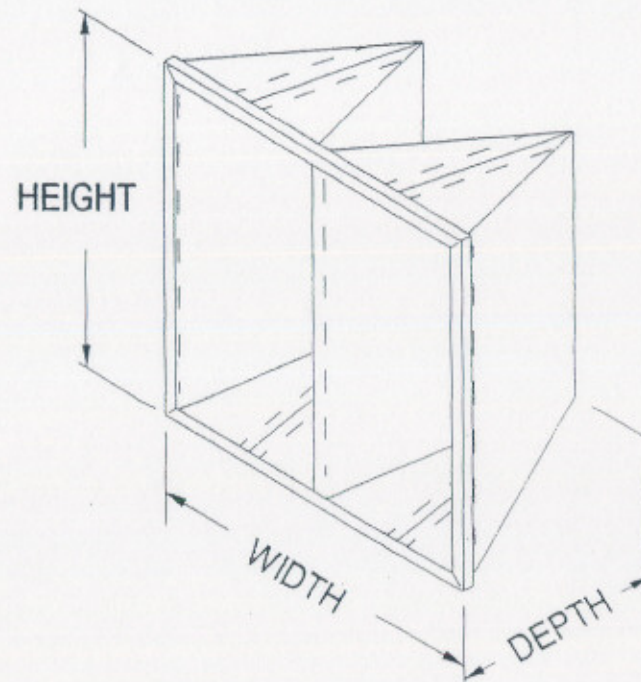
---



---



---



**Koch Filter Corporation**

*Filtration Products Crafted with Pride*

625 W. Hill Street • P.O. Box 3186 • Louisville, KY 40201  
 Phone: (502) 634-4796 Fax: (502) 637-2280

MATERIAL	HEAT / SURFACE TREATMENT	TOLERANCES UNLESS OTHERWISE SPECIFIED	
		XX +/- .02	XXX +/- .005 ANGLES +/- 0 DEG 30'
DRAWN <b>JW</b>	DATE <b>8-16-00</b>	APPROVED	DATE
TITLE <b>DUO-PAK FILTER w/ HEADER SUBMITTAL</b>			
SCALE <b>NTS</b>	SHEET <b>1 OF 1</b>	DRAWING NO. <b>P104-002</b>	REV.